

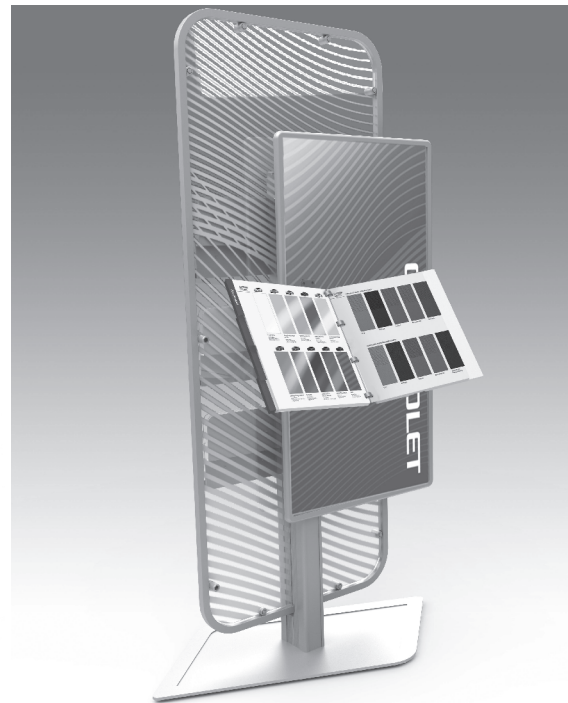


2019 Chevrolet Product Information Center (PIC) Retrofit Assembly Instructions

Earlier this year, we introduced a new format for the 2019 Product Information Center Pages that provides a greater focus on the presentation of color and trim samples. The new PIC page updates are now produced on a smaller-sized, high quality substrate with larger color and trim swatches mounted to each page. We hope you find the new format easier for both sales representatives and customers to use.



OLD



NEW

To facilitate the new format, your dealership has been shipped the following components each packaged separately. Please make sure you locate all components before updating your PIC display:

- PIC Display Page Deck Brackets – One box for each Chevy Car PIC Page Update and one box for each Chevy Truck Page Update
- Chevy Car PIC Pages – One for each Chevy Car PIC page deck at your dealership
- Chevy Truck PIC Pages – One for each Chevy Truck PIC page deck at your dealership

Once you locate each of these boxes, please follow the installation instructions on the following pages.

Call Program Headquarters at 1-800-766-5660 with any questions.



2019 Chevrolet Product Information Center (PIC) Retrofit Assembly Instructions

CHEVROLET PAGE DECK INSTALLATION

Tools required:

Socket wrench

1/2" Socket

Phillips screw driver

Parts list:

(1) Page holder

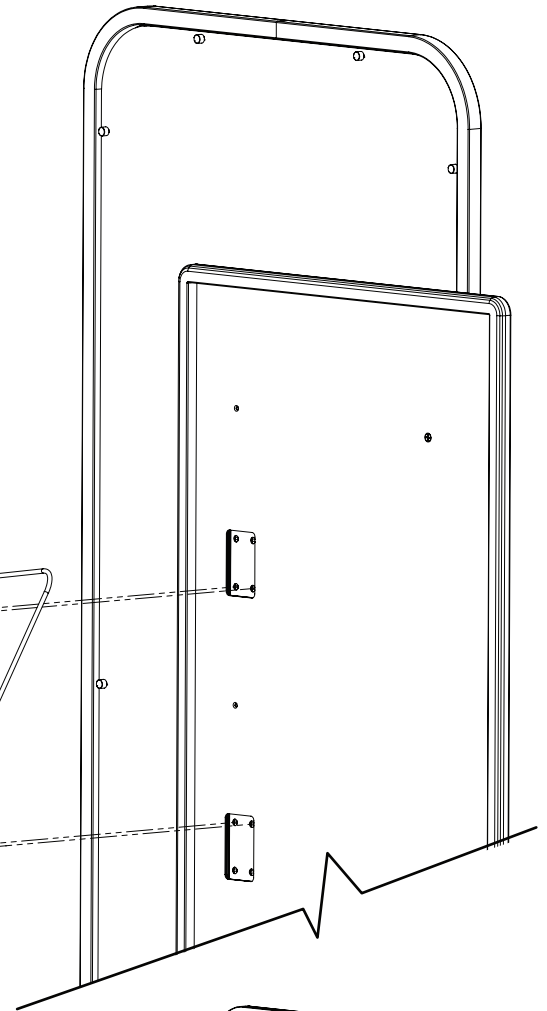
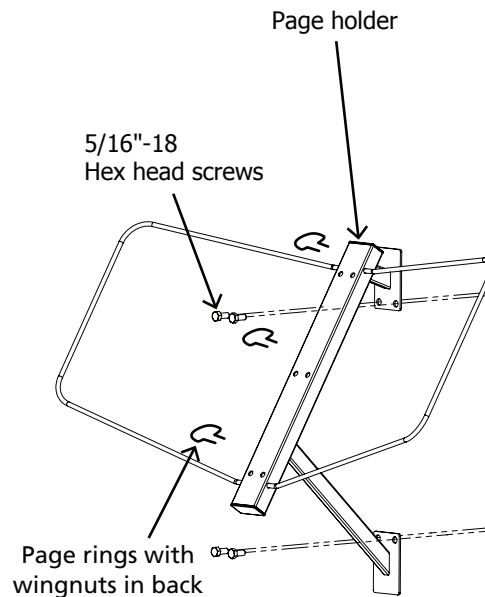
Hardware list:

(4) 5/16" - 18 X 3/4"

Hex head machine screws

(3) Page rings

(3) #10-24 wing nuts



Steps:

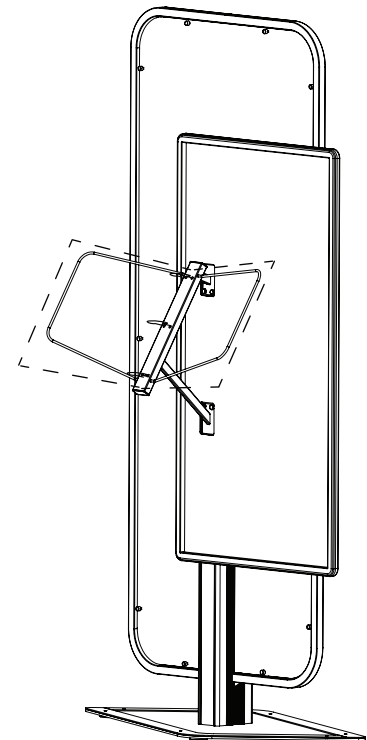
1. Using phillips screwdriver, remove old page deck from display and discard.

2. Using socket wrench and socket, install new page holder with (4) 5/16"-18 x 3/4" hex head screws.

3. Install the new PIC pages according to instructions supplied.

NOTE!

The PIC pages will arrive in a separate carton.



Call Program Headquarters at 1-800-766-5660 with any questions.



2019 Chevrolet Product Information Center (PIC) Retrofit Assembly Instructions

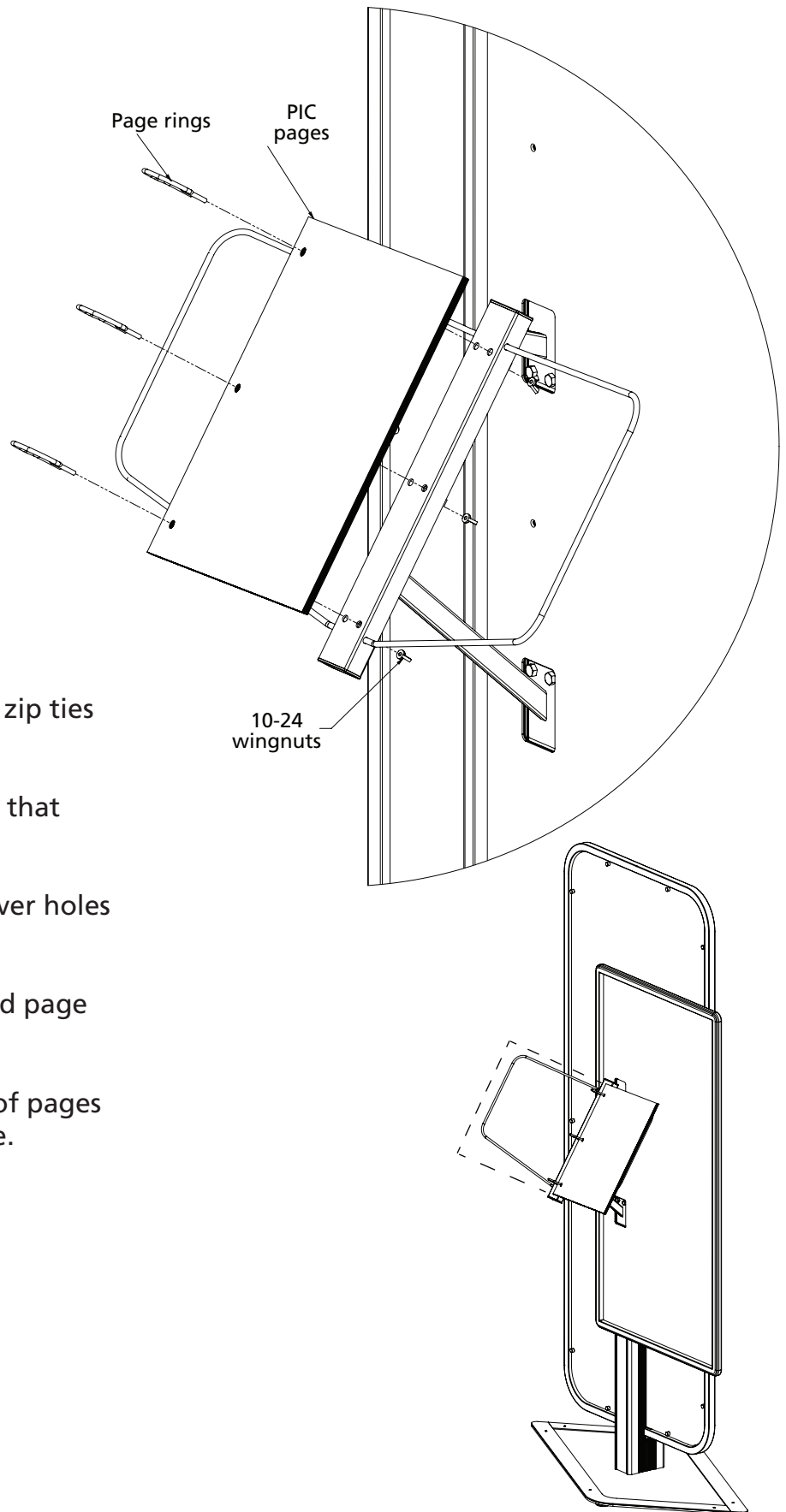
CHEVROLET PAGE INSTALLATION

Parts list:

- (1) Set of Chevy Car PIC pages
- (1) Set of Chevy Truck PIC pages

Steps:

1. Remove PIC pages from carton and cut zip ties that hold pages together.
2. Remove slip sheets between each page that protect the color chips during shipping.
3. For each set of pages, position pages over holes in the new PIC page deck bracket.
4. Insert page rings through the pages and page deck bar.
5. Attach wingnuts to rings on back side of pages and hand tighten to secure pages in place.



Call Program Headquarters at 1-800-766-5660 with any questions.



2019 Chevrolet Product Information Center (PIC) Retrofit Assembly Instructions

CHEVROLET PAGE INSTALLATION

The Chevy Car pages should be placed in the following order:

1. Camaro
2. Corvette
3. Impala
4. Malibu
5. Cruze
6. Sonic
7. Spark
8. Volt – If your dealership is Volt Certified

The Chevy Truck pages should be placed in the following order:

1. All-New Blazer
2. All-New Silverado 1500
3. Silverado 1500 LD
4. Silverado HD
5. Colorado
6. Suburban
7. Tahoe
8. Traverse
9. Equinox
10. Trax
11. Express Cargo/Passenger/Cutaway
12. Bolt EV – If your dealership is Bolt EV Certified

Call Program Headquarters at 1-800-766-5660 with any questions.